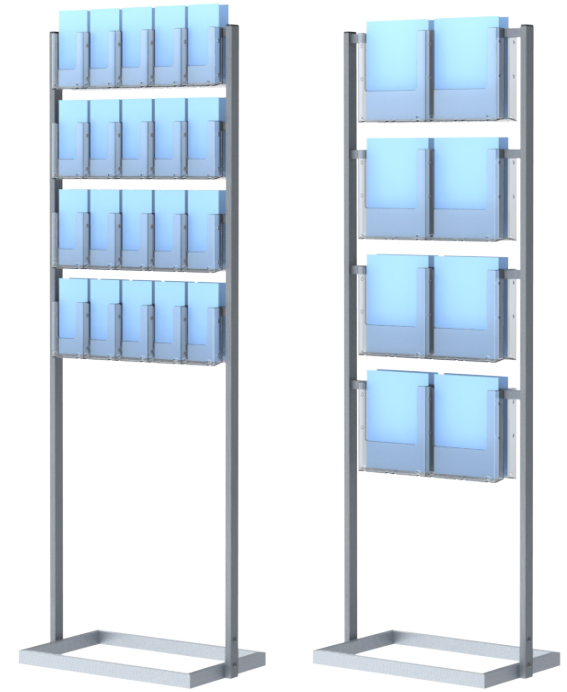
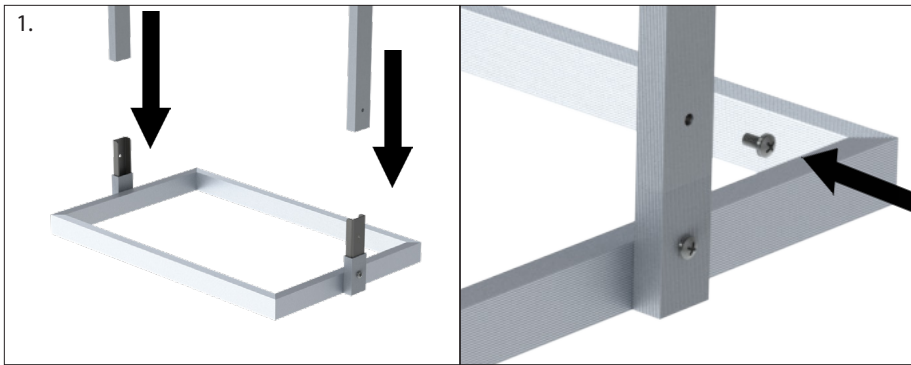


Communication Center SignHolder™ - LFPB Series

1. Slide the uprights of the frame structure over the stand-off sections of the base and fasten the uprights in place using the screws provided.
2. **FOR PAMPHLET HOLDERS ONLY:** Slightly loosen the nylon screws to create a gap for mounting the pamphlet holders. Place the keyholes of the pamphlet holder over the pair of nylon screws. Slightly tighten the nylon screws to secure the pamphlet holder. Repeat for additional holders.
3. **FOR CATALOG HOLDERS ONLY:** Place the metal plate across the front of the catalog holder, and align the holes of metal plate with the keyholes of the catalog holder. Insert the knobs through the holes of metal plate and catalog holder, then tighten into the holes of the crossbar. Repeat for additional holders.



LFPB140-S

LFPB216-S

